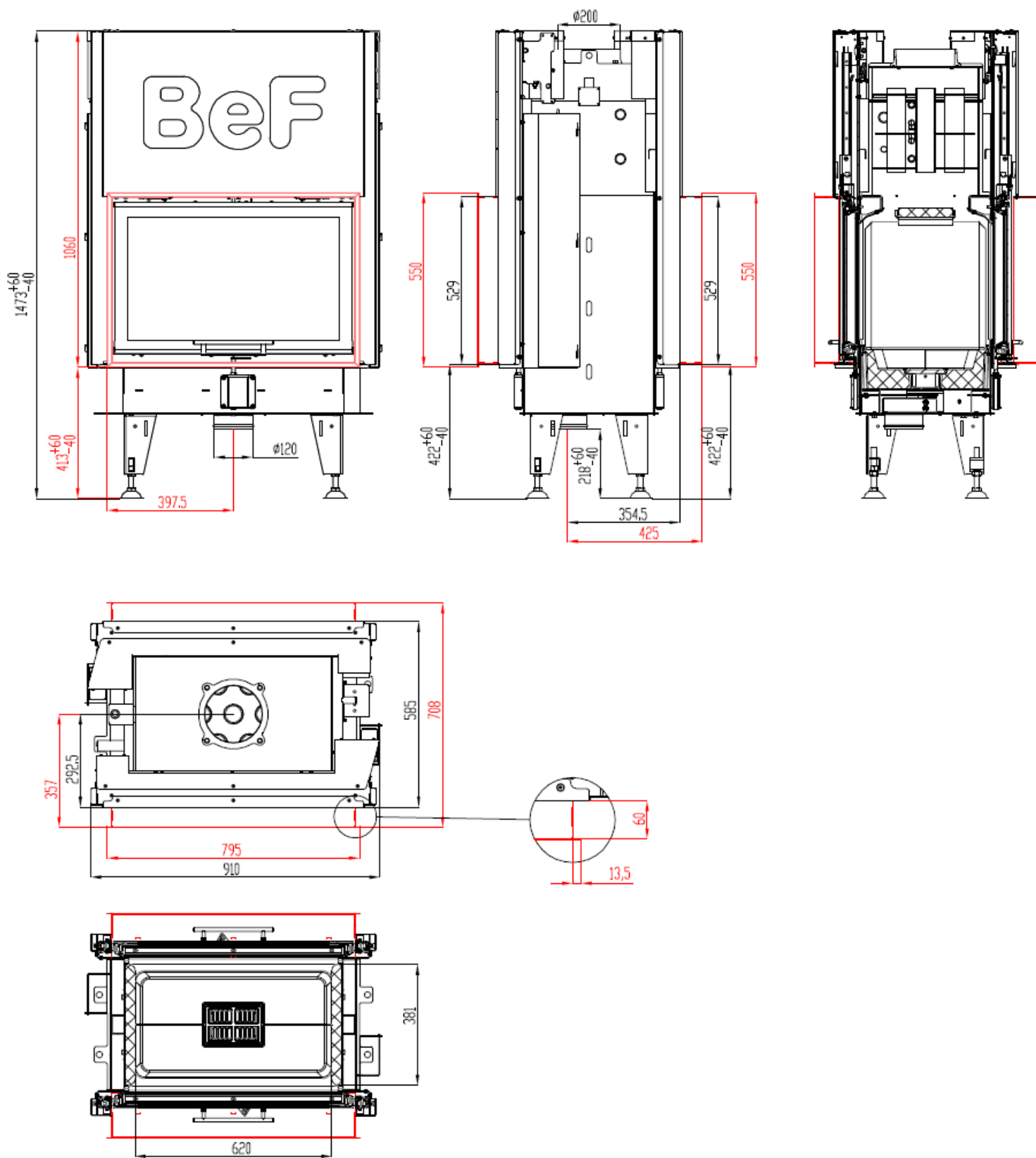


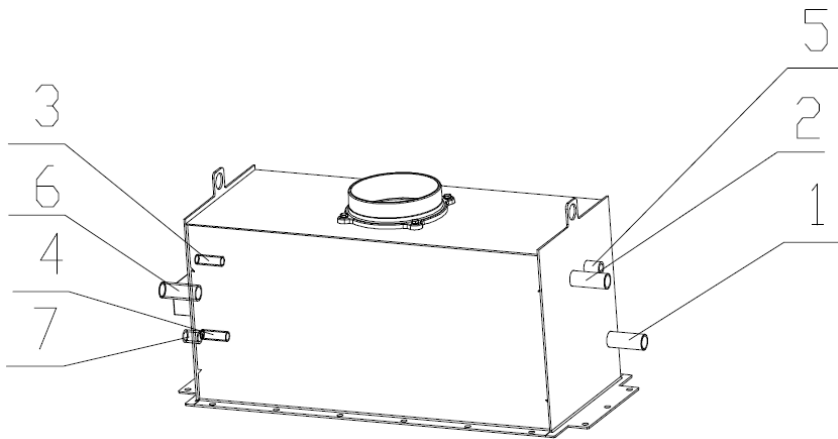
# HOT WATER FIREPLACE INSERT BEF TWIN VV 8 AQUATIC IN ACCORDANCE WITH EN 13 229



# HOT WATER FIREPLACE INSERT BEF TWIN VV 8 AQUATIC IN ACCORDANCE WITH EN 13 229

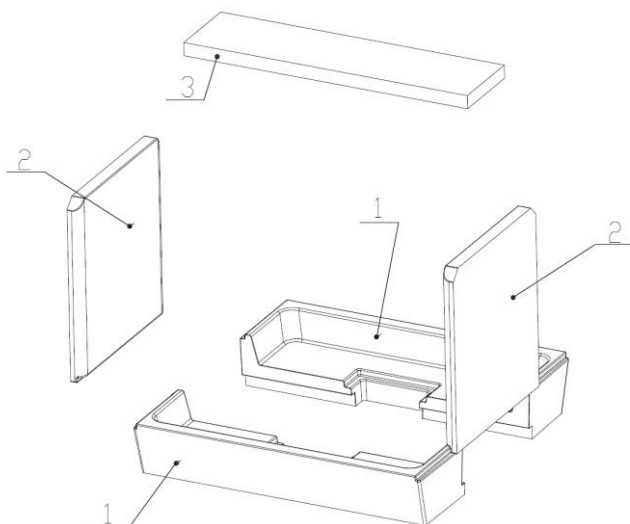
**Technical data:**

|   |                    | Closed firebox    |
|---|--------------------|-------------------|
| Nominal heat output   | kW                 | 14,5              |
| Efficiency  | %                  | 84                |
| Output into water   | kW                 | 8                 |
| Volume flow of combustion products                            | g/s                | 12,4              |
| Flue-gas temperature  | °C                 | 213               |
| Min. feed pressure at nominal heat output                     | Pa                 | 12                |
| Fuel  |                    | wood (beech logs) |
| Fuel consumption per hour                                     | kg/h               | 4                 |
| CO emission in burnt gas (in relation to 13% O <sub>2</sub> ) | %                  | 0,0624            |
| Dust in flue-gas (in relation to 13% O <sub>2</sub> )         | mg/Nm <sup>3</sup> | 37                |
| Smoke flue diameter   | mm                 | 200               |
| Weight  | kg                 |                   |



- 1 – Cold water input into water exchanger (reverse), external thread 1“
- 2 – Warm water output from water exchanger (rising pipe), external thread 1“
- 3 – Cold water input for coolant loop , external thread 1/2“
- 4 – Warm water output from coolant loop, external thread 1/2“
- 5 – Input for bleed valve, internal thread 1/2”
- 6 – Pressure valve, internal thread 1/2”
- 7 – Thermic security sensor, external thread 1”

**Set of carcon firebox:**



- 1 – BOTTOM**
- 2 – SIDE PIECE**
- 4 – DEFLECTOR**

For details see Installation and Service Instructions.