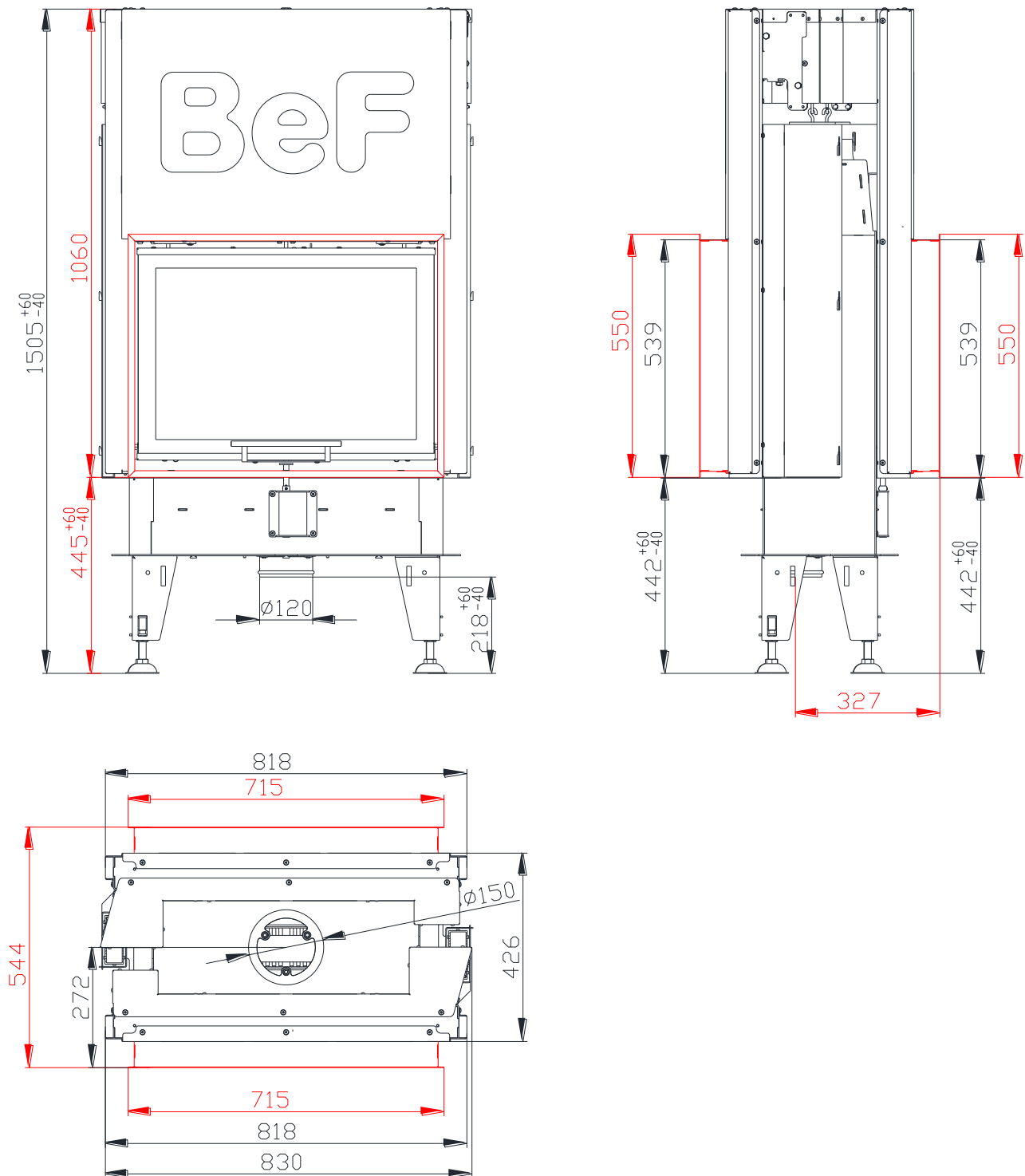


# FIREPLACE INSERT BEF FLAT VV 7 TWIN IN ACCORDANCE WITH EN 13 229

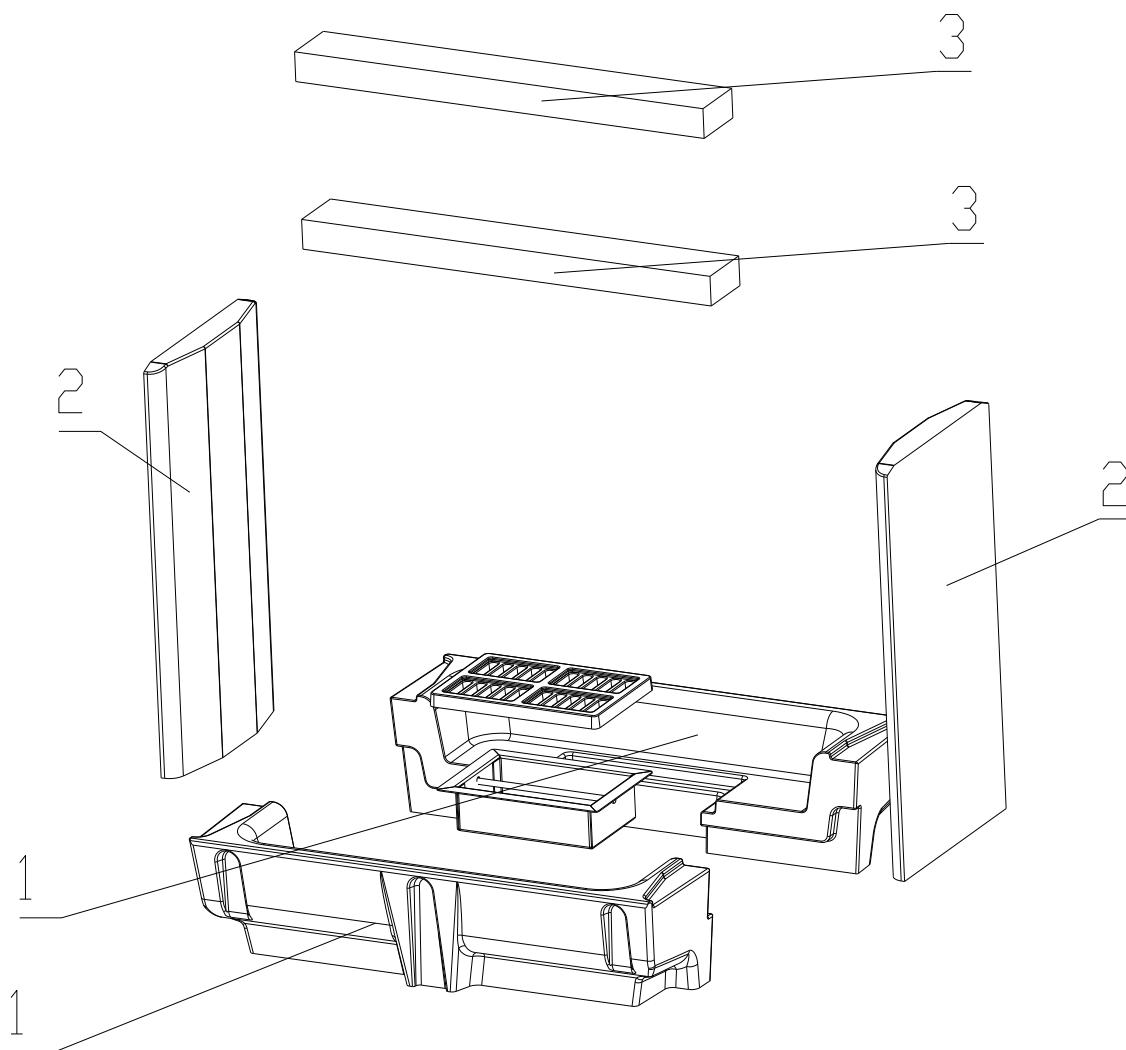


# FIREPLACE INSERT BEF FLAT VV 7 TWIN IN ACCORDANCE WITH EN 13 229

## Technical data:

Nominal heat output	kW	7
Efficiency	%	82,2
Volume flow of combustion products	g/s	6,5
Flue-gas temperature	°C	232
Min. feed pressure at nominal heat output	Pa	12
Fuel		wood (beech logs)
Fuel consumption per hour	kg/h	2,45
CO emission in burnt gas (in relation to 13% O <sub>2</sub> )	%	0,0811
Dust in flue-gas (in relation to 13% O <sub>2</sub> )	mg/Nm <sup>3</sup>	18
Smoke flue diameter	mm	150
Weight	kg	

## Set of carcon firebox:



1. **BOTTOM**
2. **SIDE PIECE**
3. **DEFLECTOR**

For details see Installation and Service Instructions.