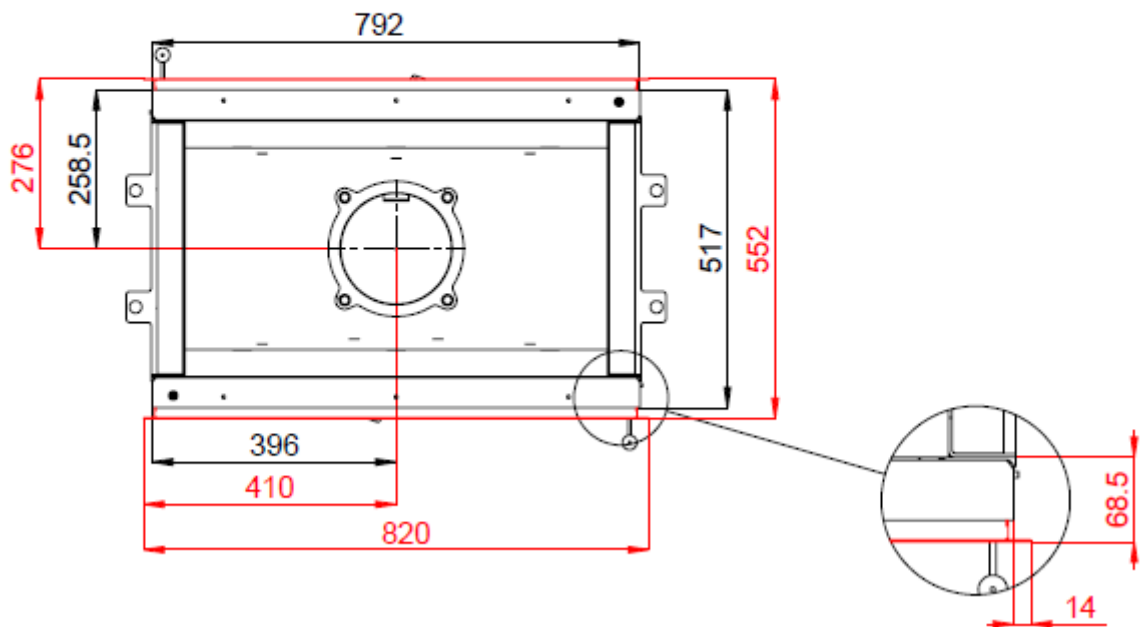
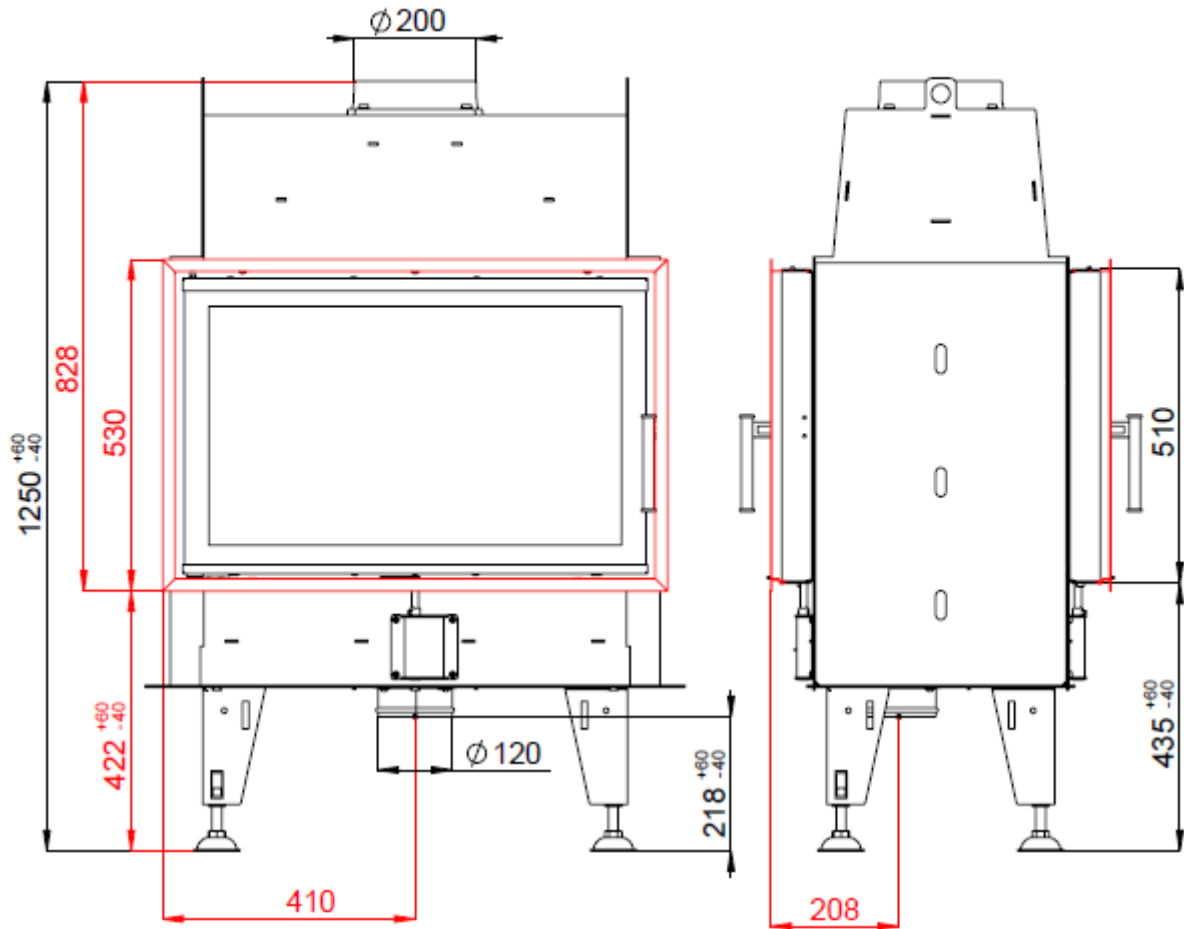


# FIREPLACE INSERT BEF TWIN 8 N II IN ACCORDANCE WITH EN 13 229

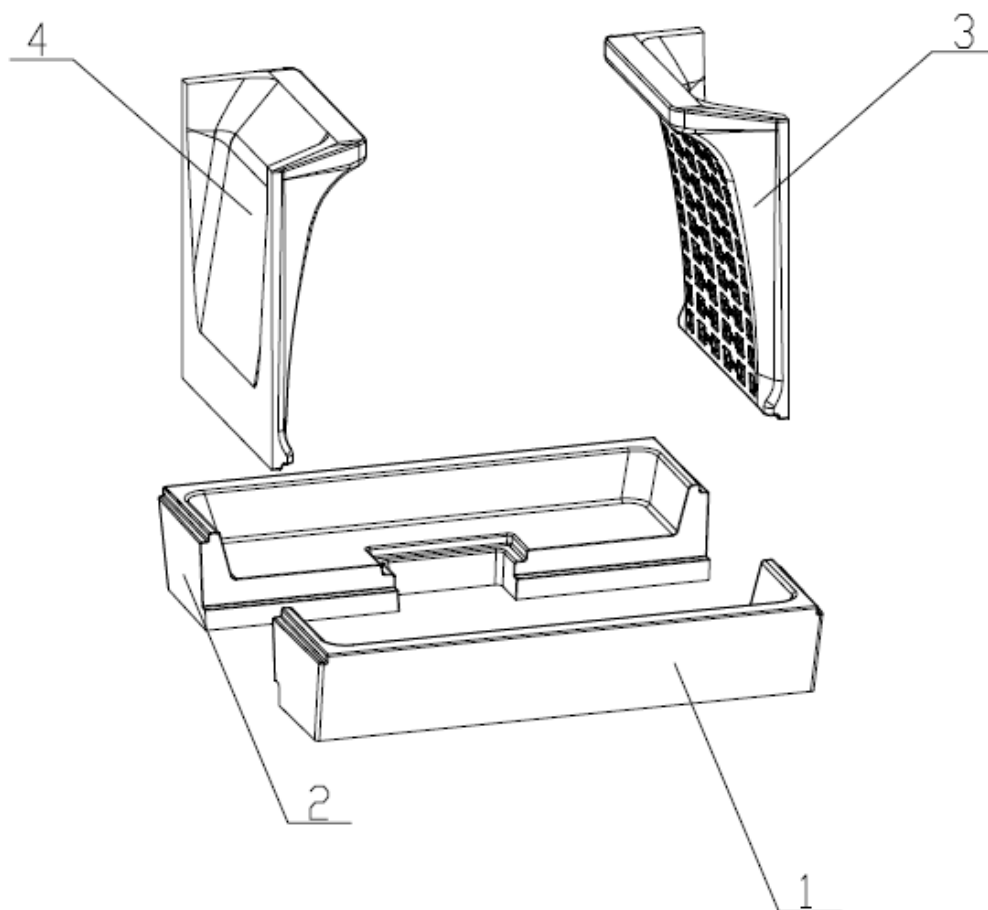


# **FIREPLACE INSERT BEF TWIN 8 N II** **IN ACCORDANCE WITH EN 13 229**

## **Technical data:**

Nominal heat output	kW	10
Efficiency	%	80
Volume flow of combustion products	g/s	9,3
Flue-gas temperature	°C	240
Min. feed pressure at nominal heat output	Pa	12
Fuel		wood (beech logs)
Fuel consumption per hour	kg/h	2,76
CO emission in burnt gas (in relation to 13% O <sub>2</sub> ) %		0,0993
Dust in flue-gas (in relation to 13% O <sub>2</sub> )	mg/Nm <sup>3</sup>	30
Smoke flue diameter	mm	200
Weight	kg	198

## **Set of carcon firebox:**



## **List of spare parts:**

1. **Bottom**
2. **Bottom**
3. **Side piece**
4. **Side piece**
5. **Deflector**
6. **Cast iron grate**
7. **Ashtray**

For details see Installation and Service Instructions.