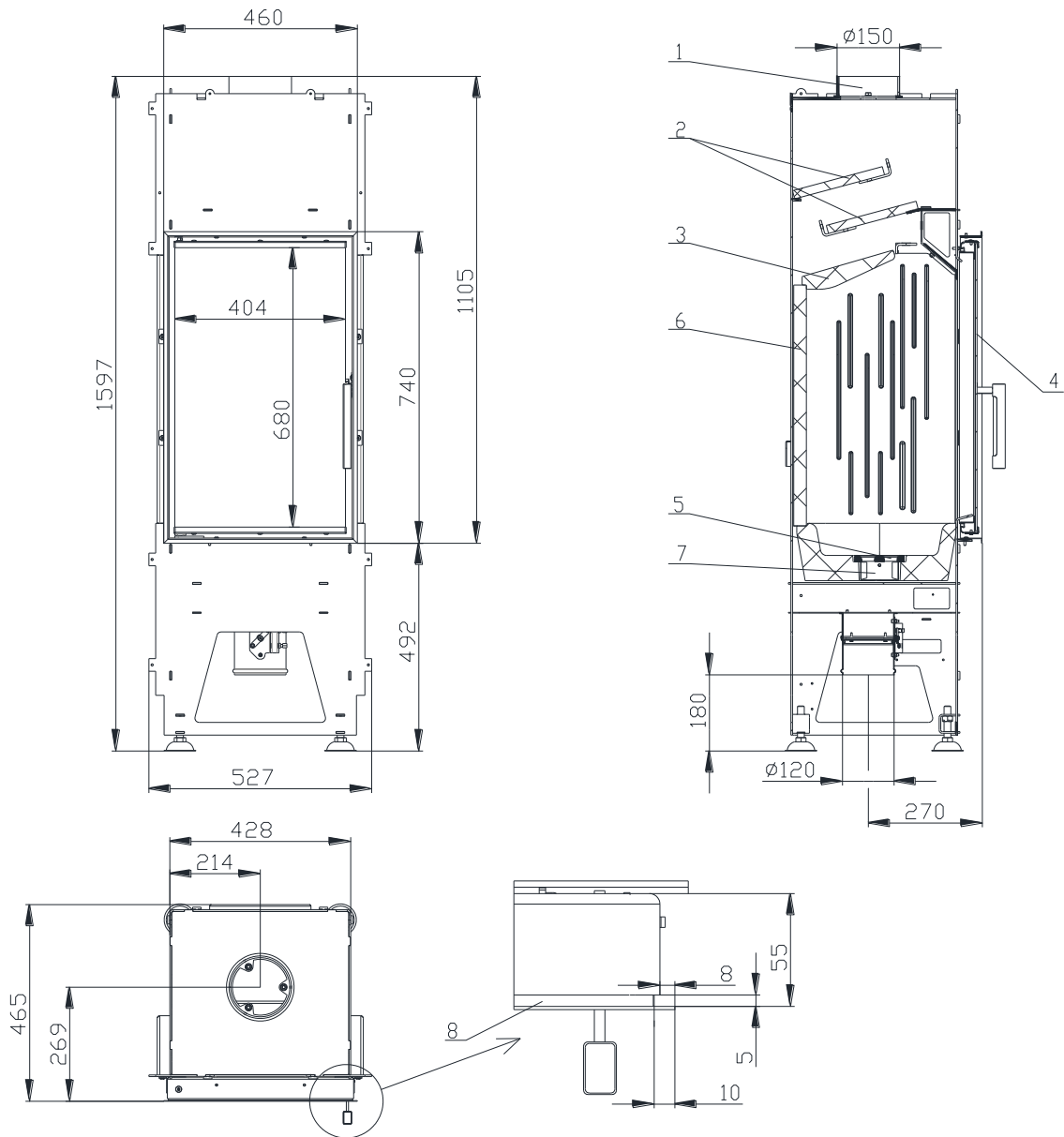


# FIREPLACE INSERT BEF TOWER 5 H IN ACCORDANCE WITH EN 13 229



- 1. Smoke flue bellmouth
- 2. Deflector
- 3. Deflector (Carcon)
- 4. Glass

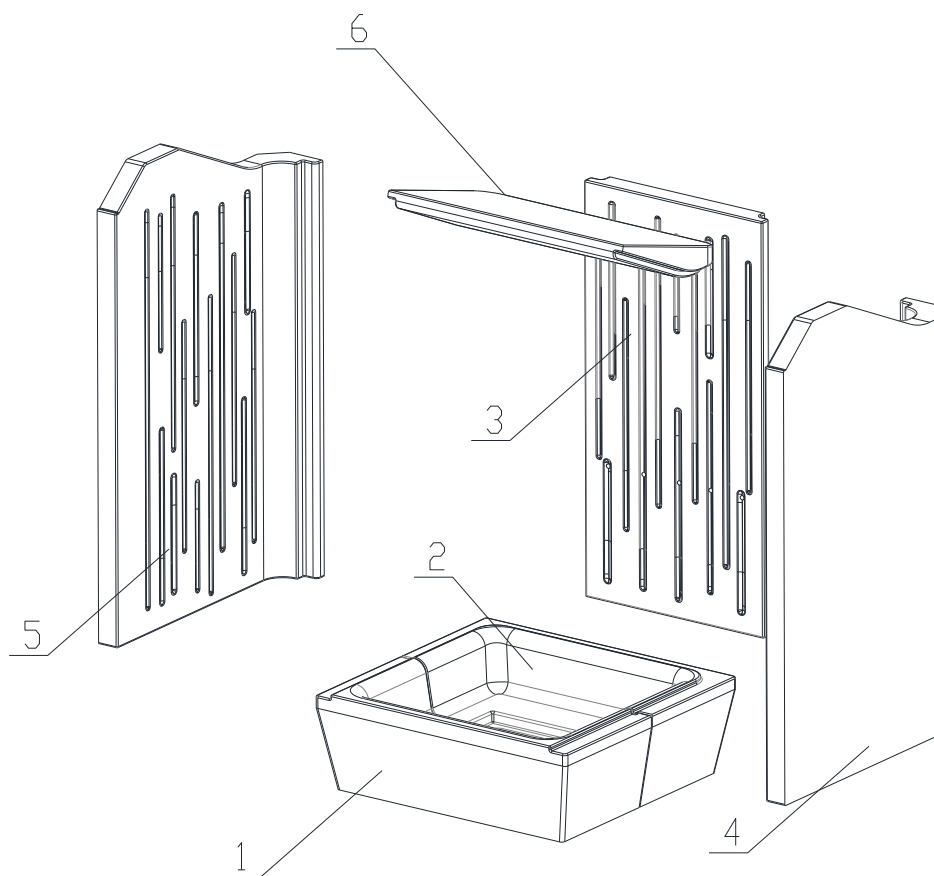
- 5. Grate
- 6. Barrier (Carcon)
- 7. Ash Tray
- 8. Frame

# **FIREPLACE INSERT BEF TOWER 5 H** **IN ACCORDANCE WITH EN 13 229**

## **Technical data:**

Nominal heat output	kW	7
Efficiency	%	81,6
Volume flow of combustion products	g/s	8,1
Flue-gas temperature	°C	224
Min. feed pressure at nominal heat output	Pa	12
Fuel		wood (beech logs)
Fuel consumption per hour	kg/h	2,0
CO emission in burnt gas (in relation to 13% O <sub>2</sub> ) %		0,0687
Smoke flue diameter	mm	150
Weight	kg	193

## **Set of carcon firebox:**



## **List of spare parts:**

- 1. Bottom**
- 2. Bottom**
- 3. Back**
- 4. Side piece**
- 5. Side piece**
- 6. Deflector**
- 7. Cast iron grate**
- 8. Ashtray**

For details see Installation and Service Instructions.