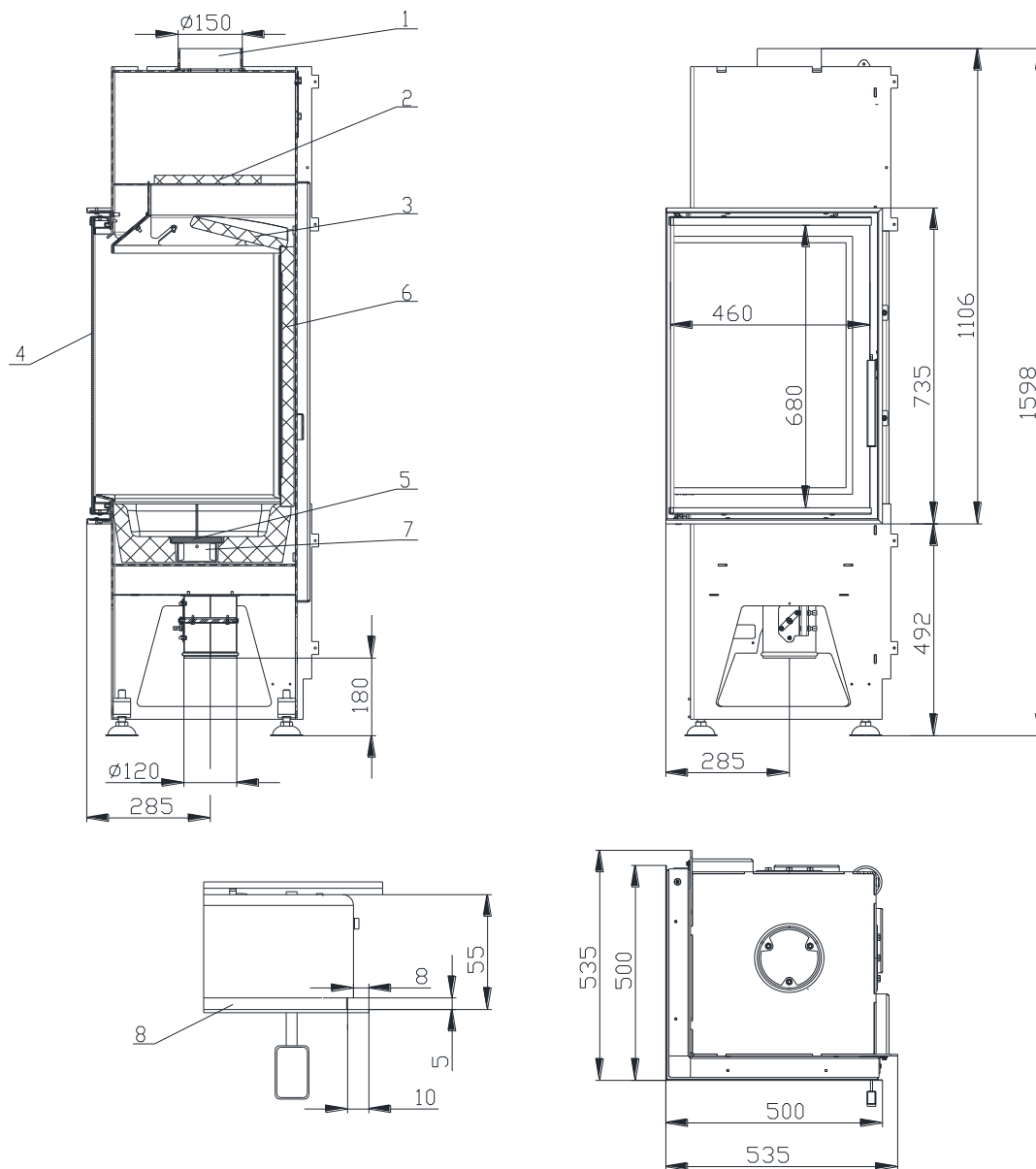


FIREPLACE INSERT BEF TOWER 5 EH **IN ACCORDANCE WITH EN 13 229**



- 1. Hrdlo kouřovodu**
- 2. Deflektor (Vermikulit)**
- 3. Deflektor (Carcon)**
- 4. Sklo**

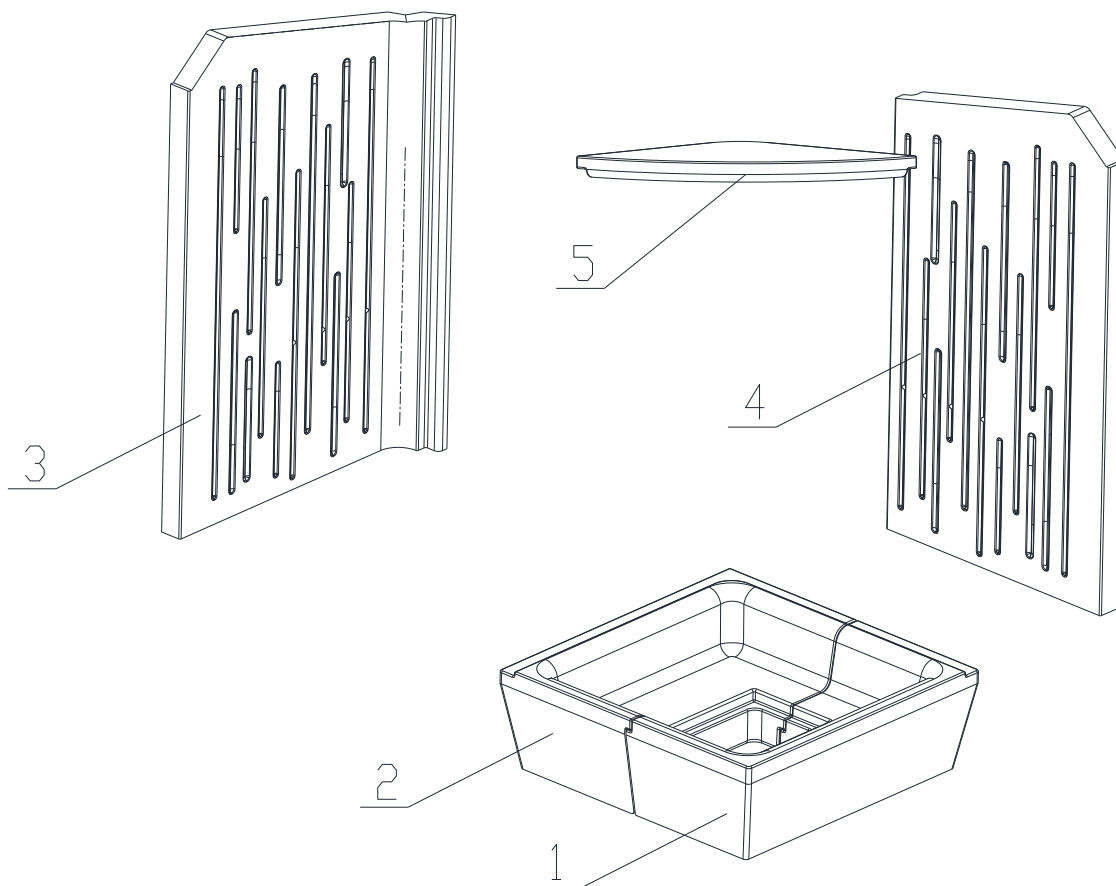
- 5. Rošt**
- 6. Žáruvzdorná tvarovka (Carcon)**
- 7. Popelník**
- 8. Zazdivací rámeček**

FIREPLACE INSERT BEF TOWER 5 EH **IN ACCORDANCE WITH EN 13 229**

Technical data:

Nominal heat output	kW	7
Efficiency	%	81,6
Volume flow of combustion products	g/s	8,1
Flue-gas temperature	°C	224
Min. feed pressure at nominal heat output	Pa	12
Fuel		wood (beech logs)
Fuel consumption per hour	kg/h	2,0
CO emission in burnt gas (in relation to 13% O ₂) %		0,0687
Smoke flue diameter	mm	150
Weight	kg	184

Set of carcon firebox:



List of spare parts:

- 1. Bottom**
- 2. Bottom**
- 3. Side piece**
- 4. Side piece**
- 5. Deflector**
- 6. Cast iron grate**
- 7. Ashtray**

For details see Installation and Service Instructions.