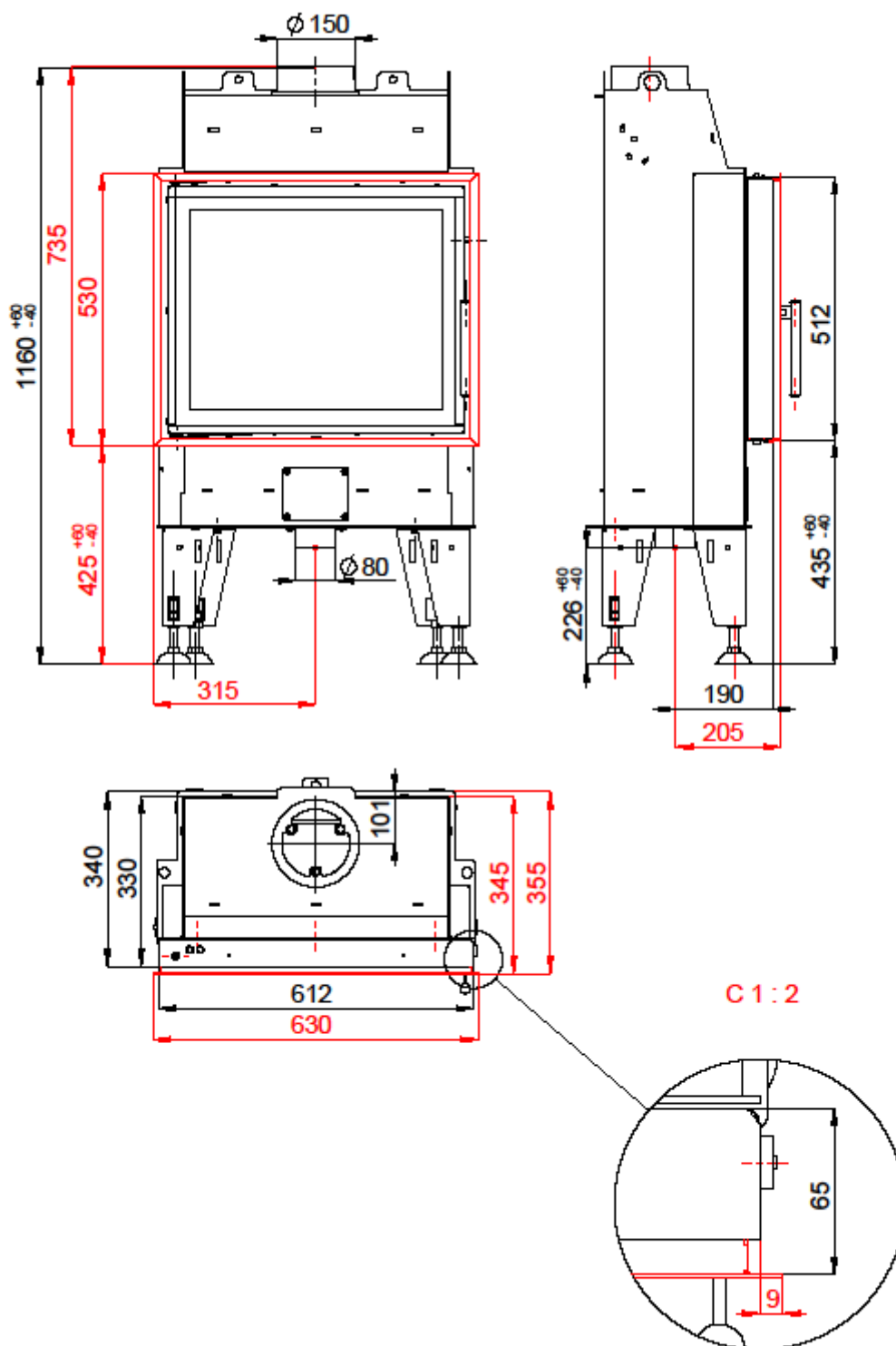


# FIREPLACE INSERT BEF PASSIVE 6 IN ACCORDANCE WITH EN 13 229

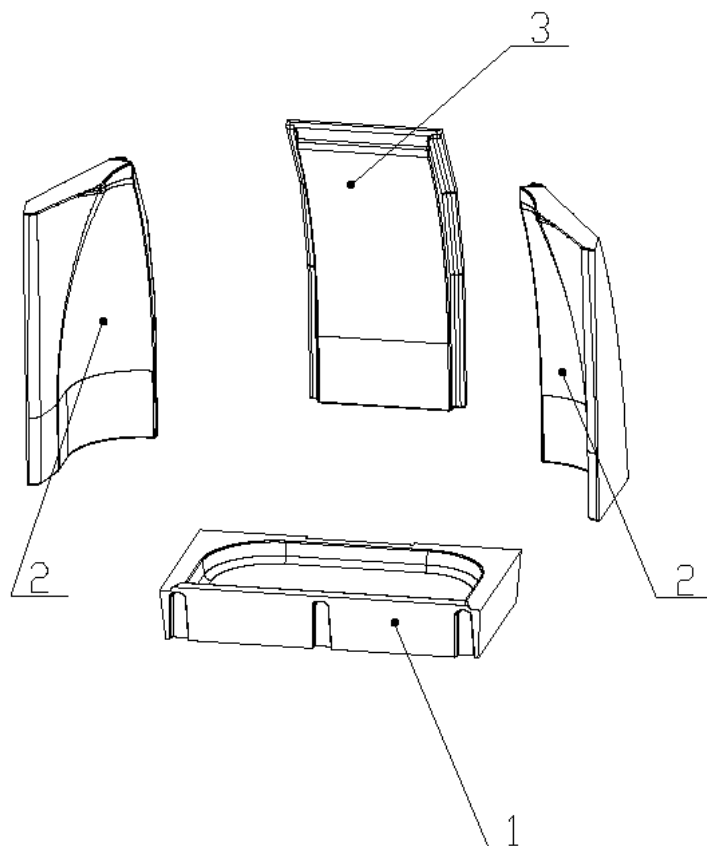


# **FIREPLACE INSERT BEF PASSIVE 6** **IN ACCORDANCE WITH EN 13 229**

## **Technical data:**

Nominal heat output	kW	3,8
Efficiency	%	86
Volume flow of combustion products	g/s	3
Flue-gas temperature	°C	193
Min. feed pressure at nominal heat output	Pa	12
Fuel		wood (beech logs)
Fuel consumption per hour	kg/h	1,15
CO emission in burnt gas (in relation to 13% O <sub>2</sub> )	%	0,0814
Dust in flue-gas (in relation to 13% O <sub>2</sub> )	mg/Nm <sup>3</sup>	16
Smoke flue diameter	mm	150
Weight	kg	118

## **Set of carcon firebox:**



## **List of spare parts:**

- 1. Bottom**
- 2. Side piece**
- 3. Back**
- 4. Deflector**

For details see Installation and Service Instructions.