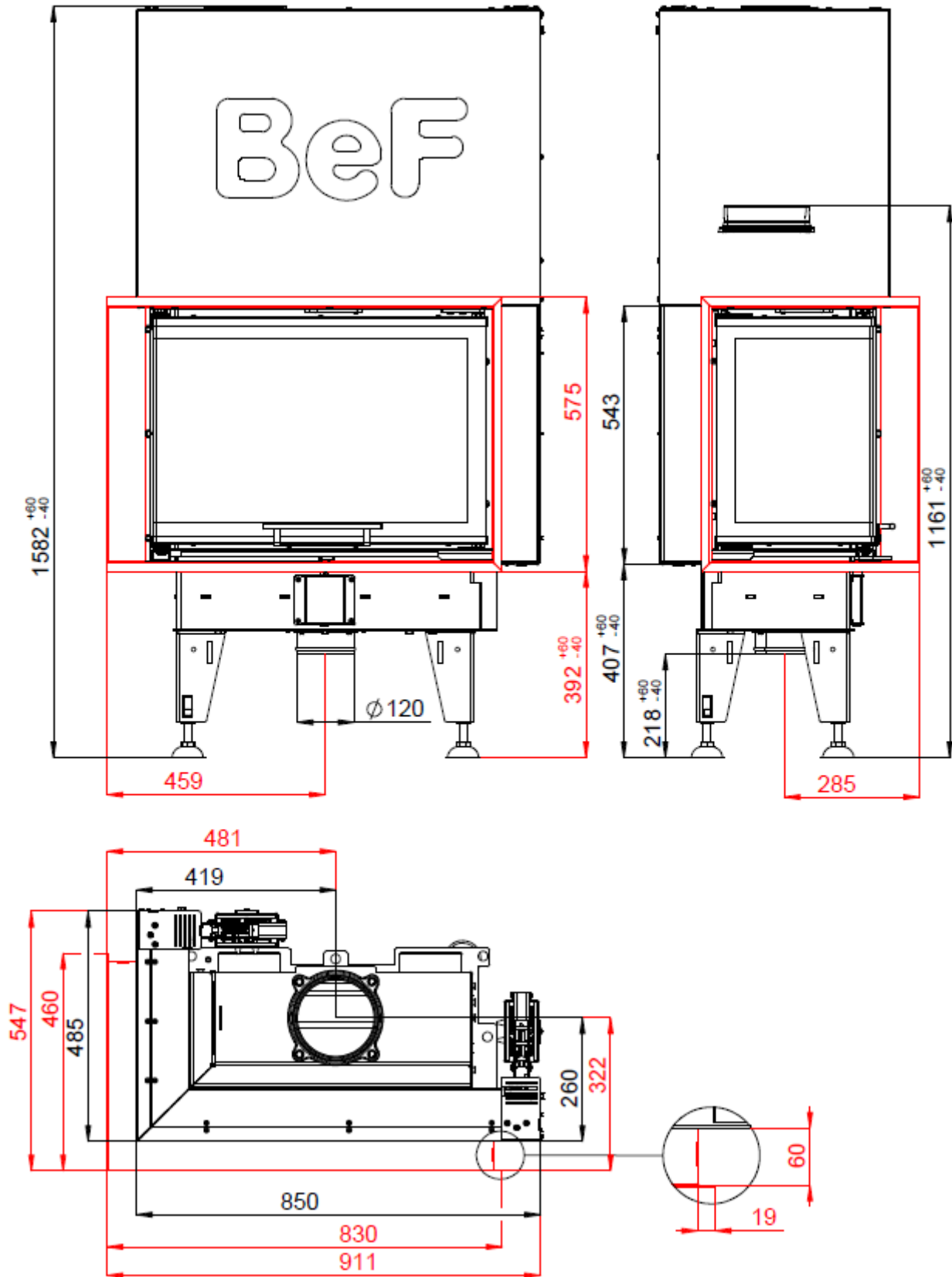


# FIREPLACE INSERT BEF FEEL V 9 CL IN ACCORDANCE WITH EN 13 229

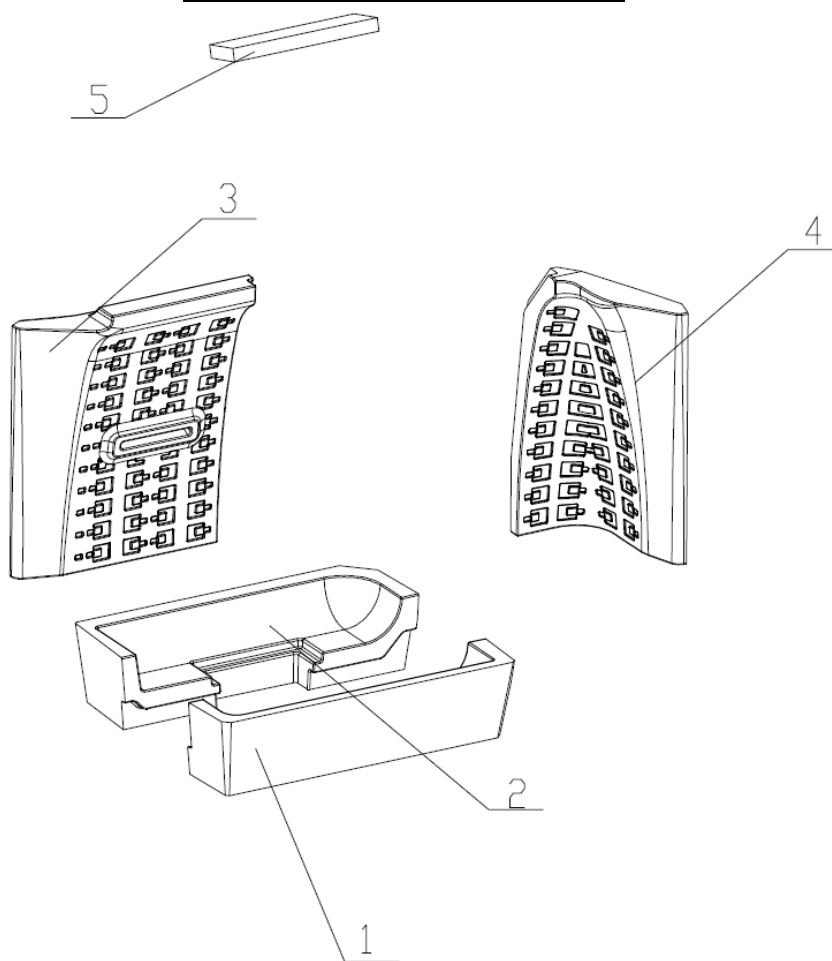


# **FIREPLACE INSERT BEF FEEL V 9 CL** **IN ACCORDANCE WITH EN 13 229**

## **Technical data:**

Nominal heat output	kW	8
Efficiency	%	85
Volume flow of combustion products	g/s	6
Flue-gas temperature	°C	212
Min. feed pressure at nominal heat output	Pa	12
Fuel		wood (beech logs)
Fuel consumption per hour	kg/h	2,54
CO emission in burnt gas (in relation to 13% O <sub>2</sub> )	%	0,0932
Dust in flue-gas (in relation to 13% O <sub>2</sub> )	mg/Nm <sup>3</sup>	16
Smoke flue diameter	mm	180
Weight	kg	

## **Set of carcon firebox:**



## **List of spare parts:**

- 1. Bottom**
- 2. Bottom**
- 3. Back**
- 4. Side piece**
- 5. Deflector**
- 6. Cast iron grate**
- 7. Ashtray**

For details see Installation and Service Instructions.